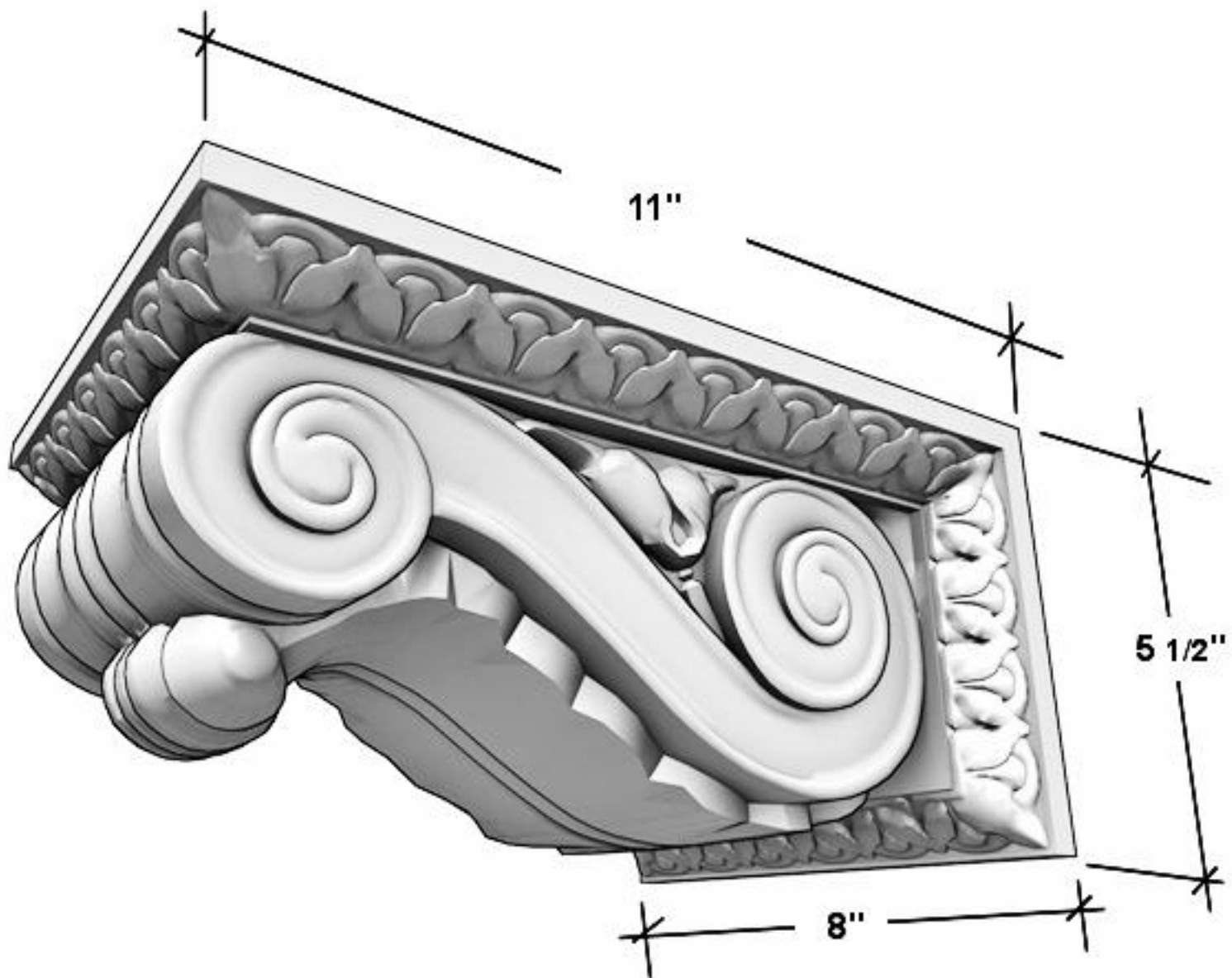


EDON fiberglass

<http://www.edon.com>



BR-104