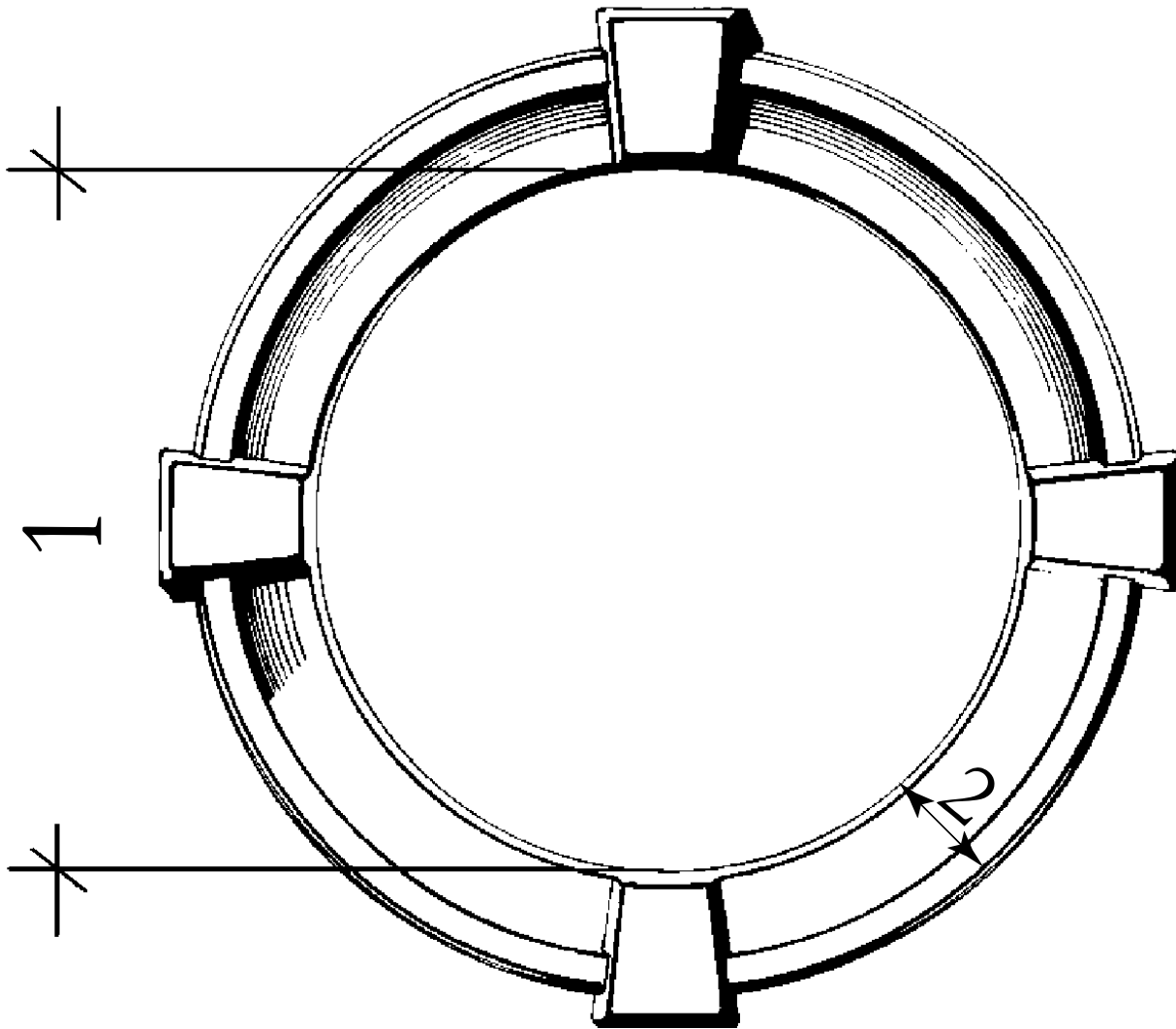


EDON fiberglass

~ www.edon.com ~



WS106	A	B	C	D
1	11 $\frac{1}{4}$ "	4'-0"	2'-0 $\frac{3}{4}$ "	2'-3 $\frac{3}{8}$ "
2	2 $\frac{5}{8}$ "	8"	4 $\frac{3}{16}$ "	5 $\frac{3}{4}$ "

WS-106A,B,C & D CIRCULAR WINDOW SURROUND