
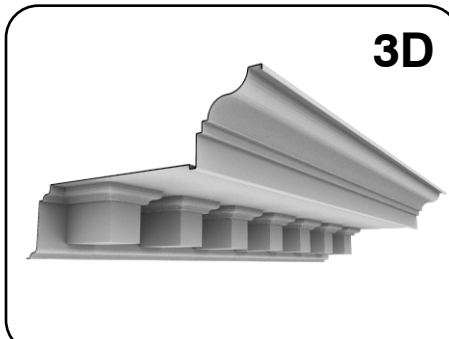


PDF	MODEL: CR-199
	LENGTH: 8'-5 1/2"

fiberglass

EDON CORP.
 1160 EASTON RD.
 HORSHAM, PA 19044
 PH: 215/672-8050
 TOLLFREE: 800/523-2539
 FAX: 215/672-9014
 EMAIL: info@edon.com
 VISIT US @ www.edon.com

TO VIEW OUR CAD FILES IN .DWG FORMAT,
 VISIT US ONLINE AND FILL OUT A SHORT FORM
 TO GAIN ENTRY.