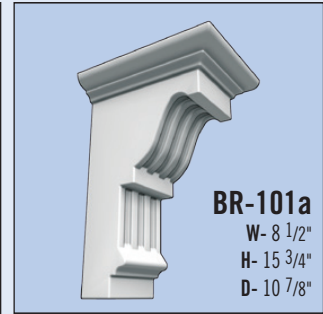
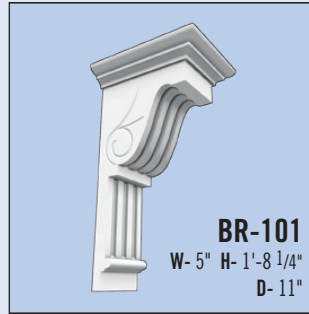


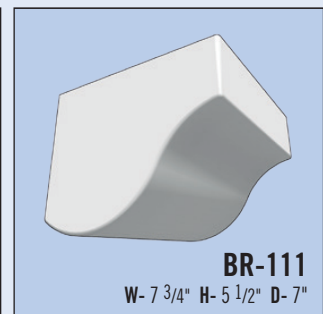
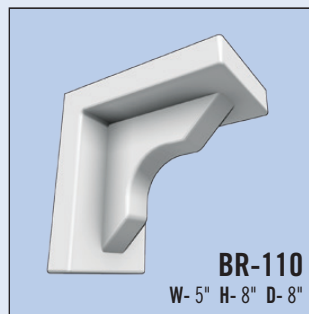
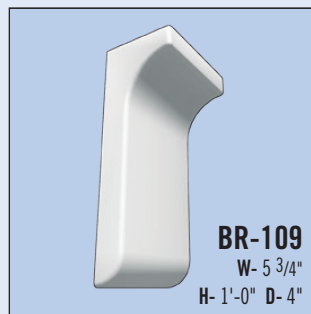
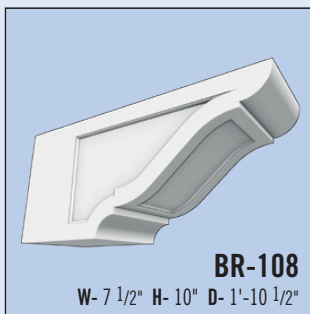
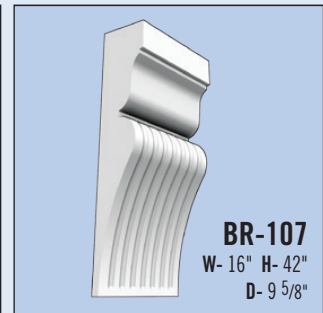
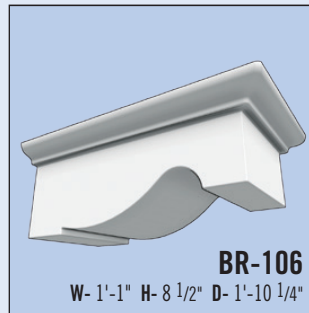
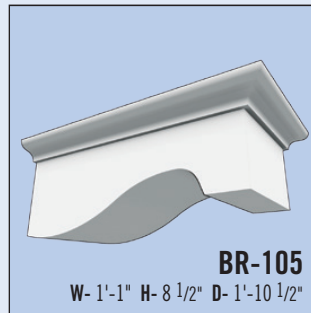
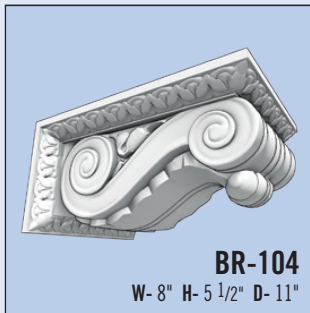
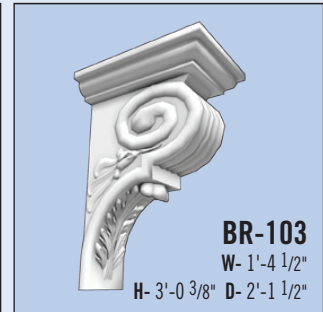
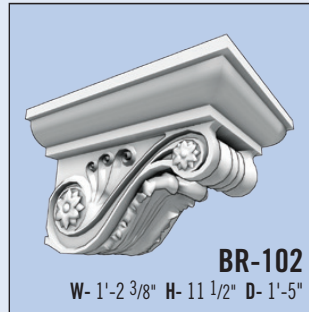
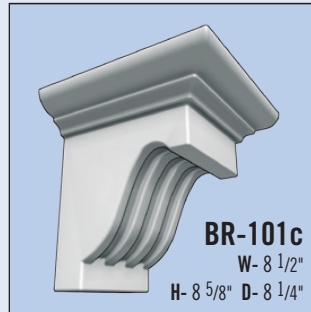
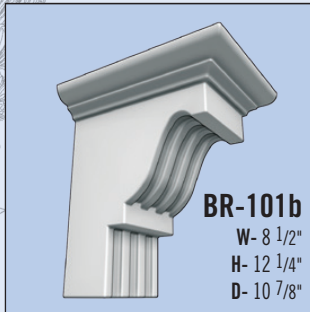
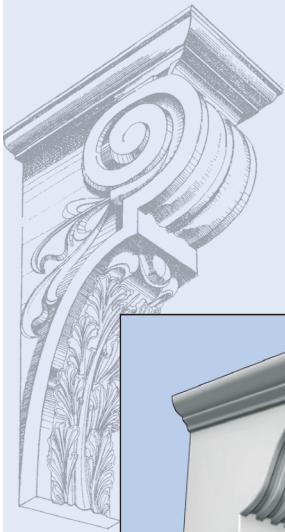
Brackets



133-141 W. 140th Street, NY

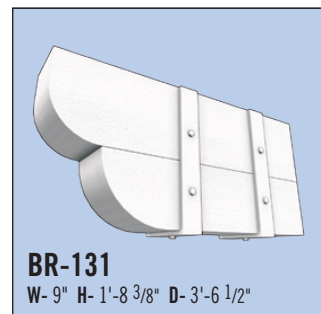
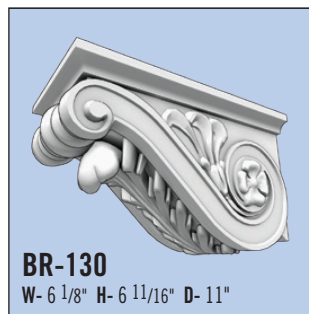
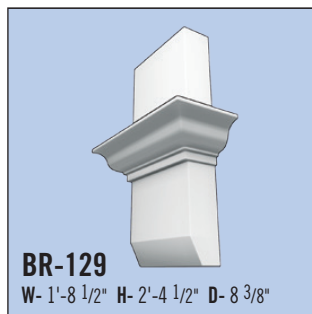
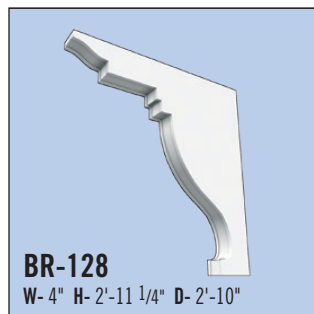
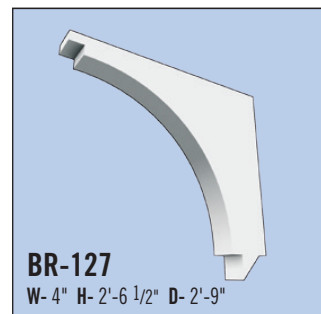
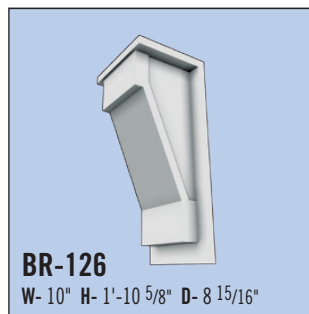
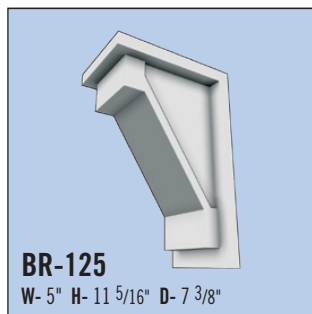
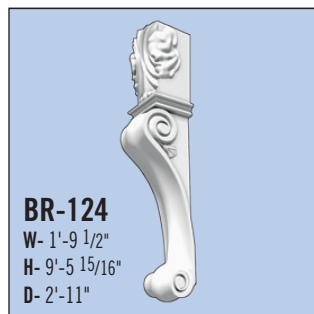
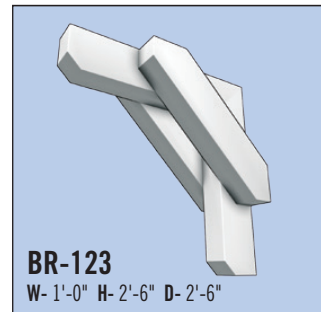
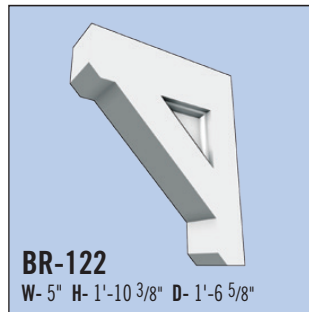
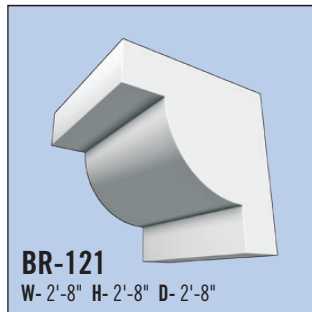
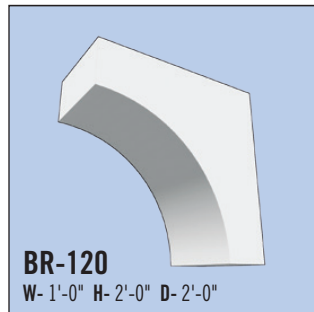
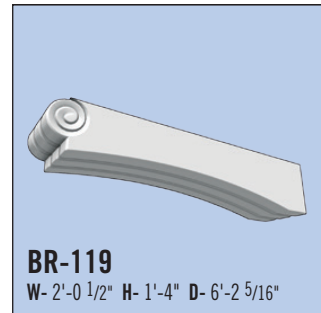
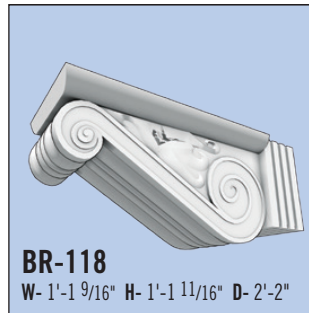
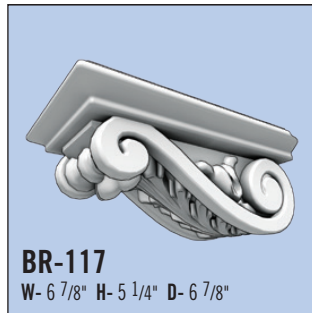
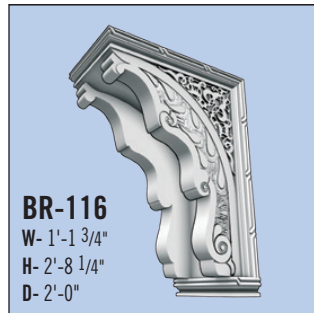
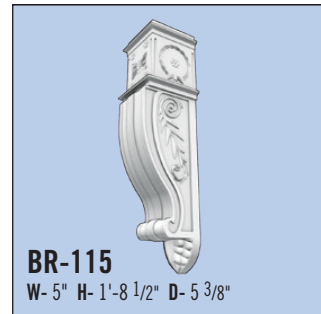
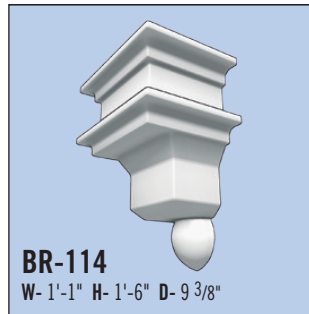
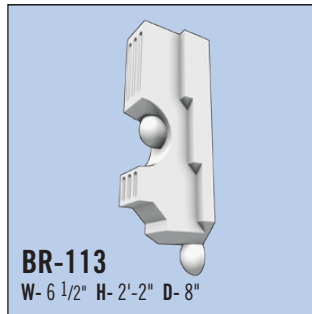


EDON has over 50 standard bracket designs from which to select. Fiberglass brackets can be molded into an existing cornice profile or produced separately to be attached in the field. **EDON** can also provide custom tooling to produce a one-of-a-kind bracket.



W- WIDTH H- HEIGHT D- DEPTH

Brackets



Brackets

