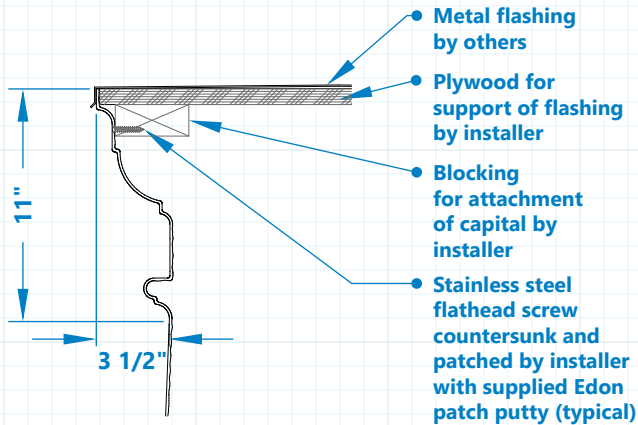
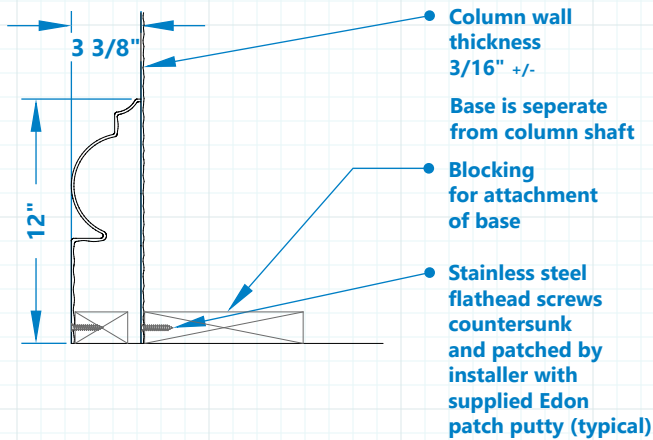


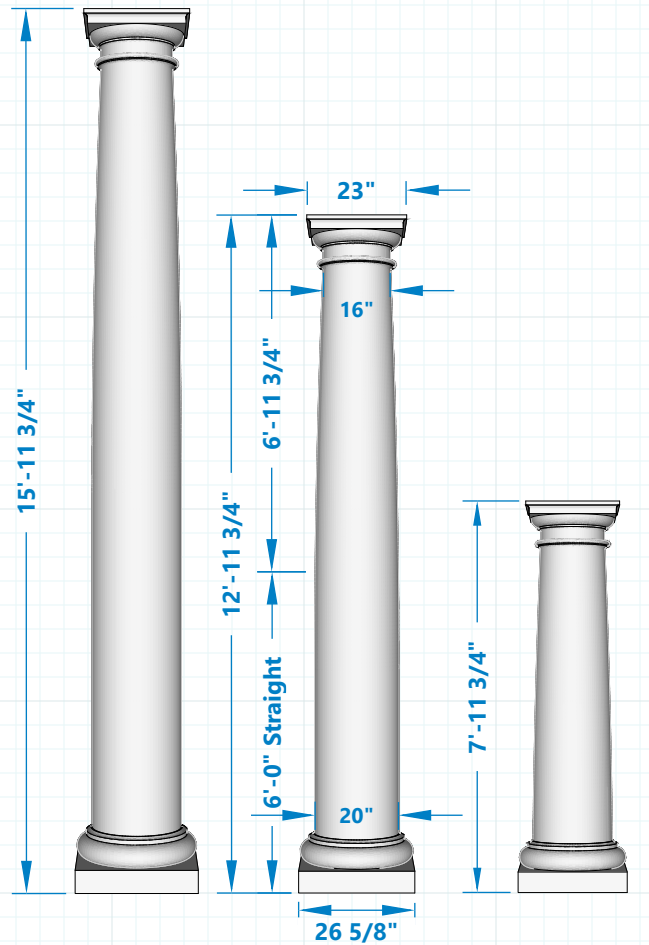
### SECTION @ COLUMN CAPITAL



### SECTION @ COLUMN BASE



### ELEVATION OF EC-120M COLUMN COVER



Max. Height (w/o stack)

Mold Height

Min. Height



All fabricated in vertically split halves with a vertical lap joint, unless butt or reveal joints have been specified.

Capital is integrated with the shaft; Bases are separate pieces.

Column can be made to any height by stacking straight sections; illustrated maximum height is without sections.

## EC-120M 20" Diameter | Tuscan Entasis Shaft Column Cover



**EDON Composites**  
 (215) 672-8050 | info@edon.com | www.edon.com  
 1160 Easton Rd. Horsham, PA 19044

